

# DataPoint™

DataPoint LI50 0408 D2\_0

## Single-Channel Universal Panel Meter

### Specifications

Display type:	LED, 4-digit
Display units:	Engineering
Decimal point:	Floating
Display output:	0-9999
Display height:	0.56" (1.4 cm)
User interface:	Four push buttons
Input channels:	(1) 4-20 mA / 0-10 VDC
Supply voltage:	90-250 VAC, 50-60 Hz.
PC-cal interface:*	RS232 (9-pin db to RJ11) adapter w/cable
PC-cal software:*	MeterView (Windows®)
Memory:	Non-volatile
Sensor supply:	24 VDC @ 200 mA
Repeater output:	LI52: Isolated (requires ext. 12-35 VDC supply)
Contact type:	LI51: (2) SPDT relays
Contact rating:	LI51: 750 VA
Contact output:	LI51: Selectable NO/NC
Contact mode:	LI51: Alarm, latched, pump altern., lead-lag
Contact delay:	0-199 seconds
Contact fail-safe:	Programmable
Contact status:	LED indication
Operating temp.:	F: -4° to 140° C: -20° to 60°
Enclosure type:	1/8 DIN
Enclosure rating:	NEMA 4X (IP65) faceplate
Enclosure mat'l:	Polycarbonate
Enclosure mount:	Panel mount
Classification:	General purpose
UL certificate:	E160849: 508
CE compliance:	EN 55011:1998 emissions EN 61000-6-2:2001 immunity EN 61010-1:2001 safety

\* Requires LI97-1001 MeterView calibration kit

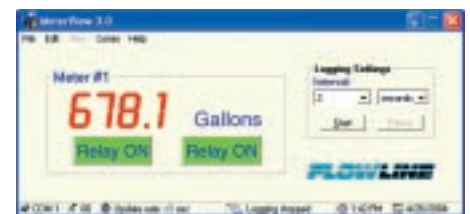
LI97  
ShownLM92  
ShownLM93  
ShownLI5\_  
Shown

### Description

The general purpose meter reads engineering units with one level transmitter input channel and is offered in three configurations. Select the meter only for indication, the meter with 2 relays for indication and automation, and the meter with 4-20 mA repeater for signal isolation. Each relay can be configured on a single set point, two latched set points for tank automatic fill or empty with pump alternation and lead-lag functions. With the optional MeterView® PC calibration kit, users can conveniently program or clone meters, save meter profiles, datalog and export data to HTML or TXT file formats. The NEMA 4X faceplate and 1/8 DIN enclosure supports panel mount installations.

### Features

- ✓ Compatible with Flowline level transmitters, and third party voltage, thermocouple or RTD inputs
- ✓ Relay alternation and lead-lag control functions optimize pump performance
- ✓ High intensity LED display is readable in outdoor direct sunlight applications
- ✓ Rugged 1/8 DIN polycarbonate enclosure with NEMA 4X faceplate



MeterView® provides a convenient interface for meter calibration and datalog functions.

### DataPoint Ordering

## LI5    -1001

#### Configuration (1) (2)

- 0 Meter only
- 1 Meter with 2 relays
- 2 Meter with 4-20 mA repeater

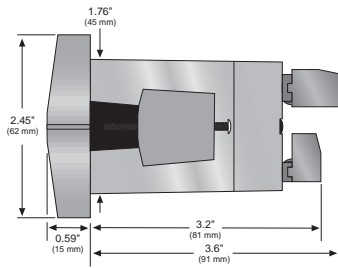


#### Ordering Notes

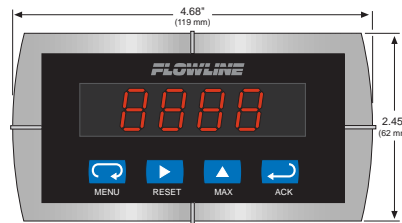
- 1) For panel mount installation in a NEMA 4X polycarbonate windowed enclosure, order the LM92-1001 (single meter box) or LM93-1001 (two meter box).
- 2) Order the LI97-1001 MeterView PC calibration kit to conveniently program or clone meters, save meter profiles, datalog and export data to HTML or TXT file formats. Each kit includes (1) PC Windows® based MeterView software CD and (1) RS232-RJ11 adapter with 2m cable.

# DataPoint™ Single-Channel Universal Panel Meter

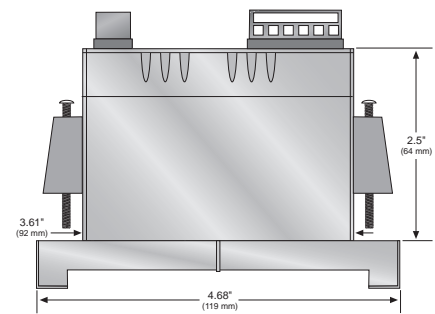
**Side View**



**Front View**

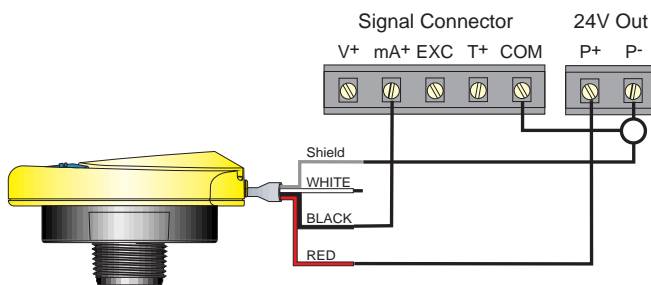


**Top View**

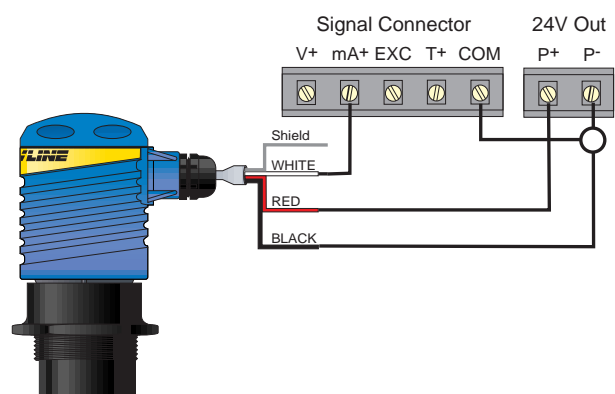


Specifications are subject to change without notice.

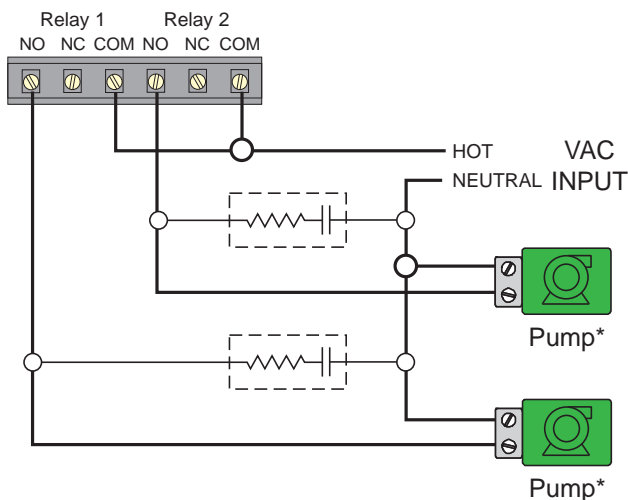
**LI5\_ to 2-Wire Transmitter**



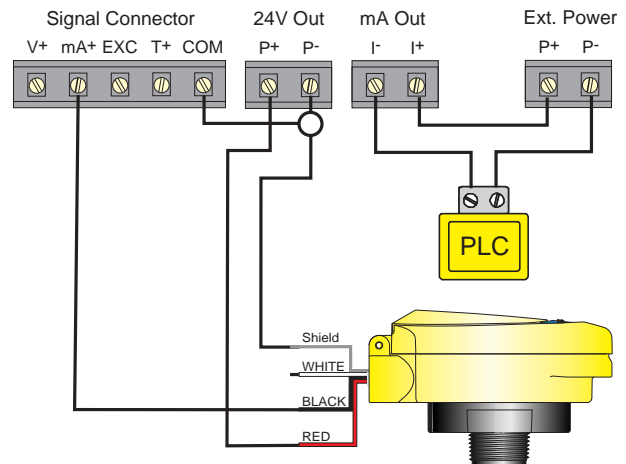
**LI5\_ to 3-Wire Transmitter**



**LI51 to Two Pumps**



**LI52 to PLC**



**Warning:** The use of an appropriate motor starter or secondary relay is recommended with pumps, valves or alarms to prevent damage to the relay contacts. The use of suppressors (snubbers) is strictly recommended when switching inductive loads.